

563

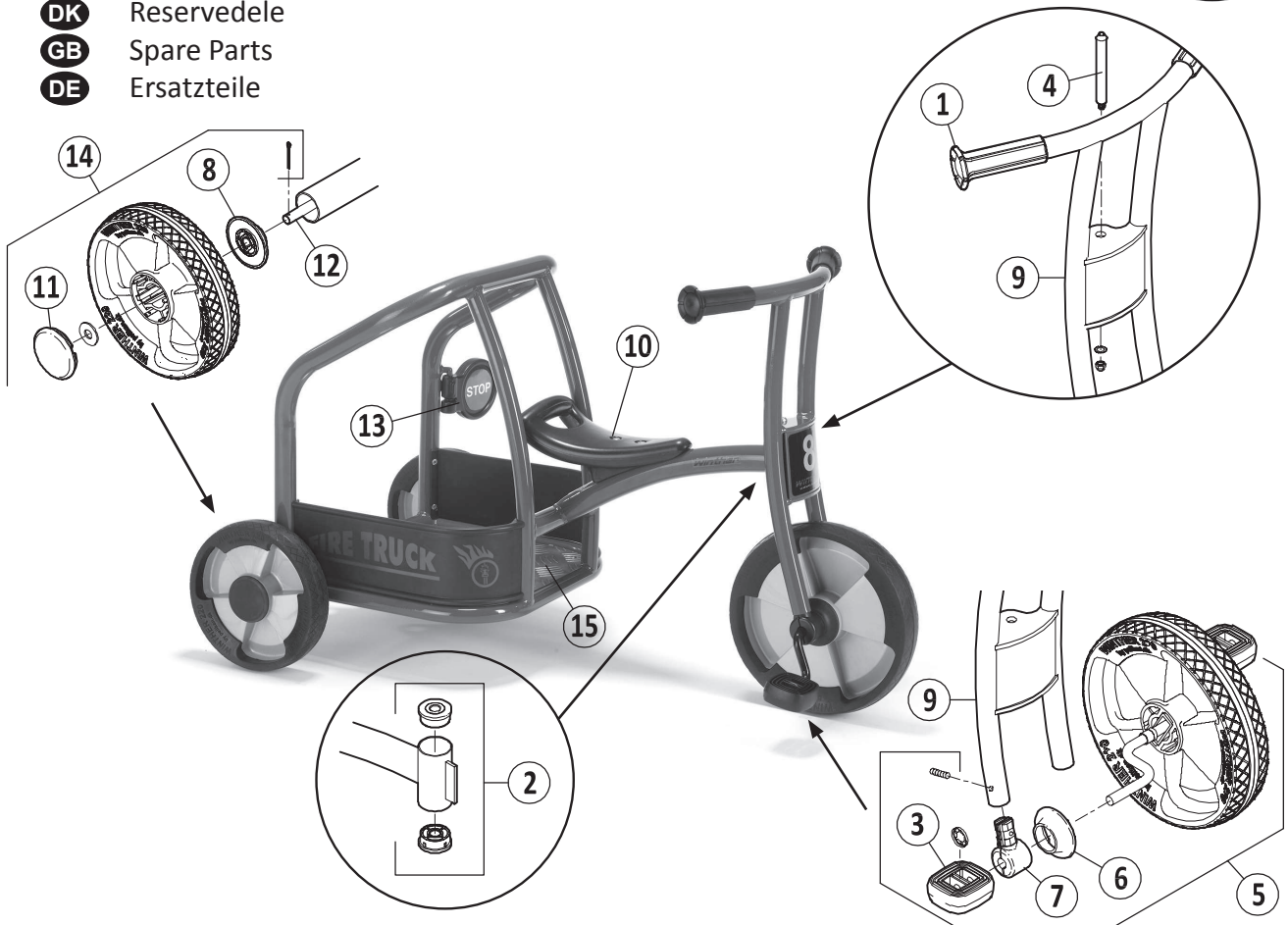


EN 71

ASTM
F963



- DK** Reservedele
- GB** Spare Parts
- DE** Ersatzteile



Pos.		Pos.		Pos.	
1	x2	6	x2	11	x2
2	x2	7	x2 x2 x1	12	x1 x2 x2
3	x2 x2	8	x2	13	x1 x1 x1
4	x1 x1 x1 x2 x1	9		14	
5		10		15	

563

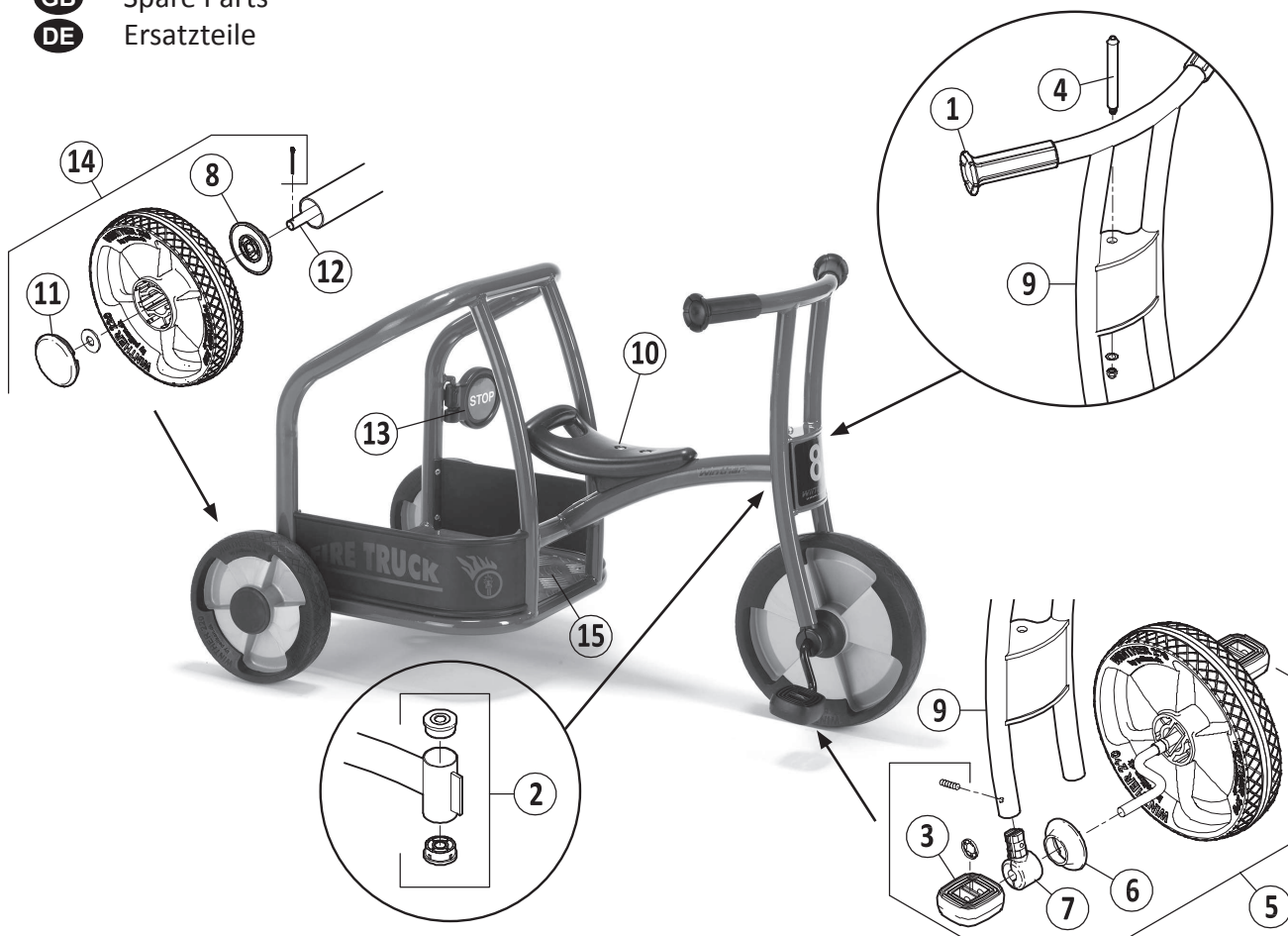


EN 71

ASTM F963



- DK** Reservedele
- GB** Spare Parts
- DE** Ersatzteile



		563.00			
		Version			
Pos.	1.1	2.0			
1	50403	50403			
2	50404	50404			
3	50410	50410			
4	50401	50401			
5	50461	50461			
6	50405	50405			
7	50406	50406			
8	50419	50419			
9	50457	50457			
10	50480	50480			
11	50420	50420			
12	50413	50413			
13	50481	50481			
14	50471	50471			
15	50498	50498			
16	-	-			
17	-	-			
18	-	-			

